

# Product data sheet

Specifications



## soft starter for asynchronous motor, Altistart 48, 34A, 208 to 690V, 7.5 to 30kW

ATS48D38Y

⚠ Discontinued on: May 2, 2023

⚠ To be end-of-service on: Dec 31, 2030

⚠ Discontinued - Service only

## Main

Range of product	Altistart 48
Product or component type	Soft starter
Product destination	Asynchronous motors
Product specific application	Heavy duty industry and pumps
Device short name	ATS48
Utilisation category	AC-53A
Ue power supply voltage	208...690 V - 15...10 %
power supply frequency	50...60 Hz - 5...5 %
Motor power kW	15 kW at 400 V for severe applications 15 kW at 440 V for severe applications 22 kW at 500 V for standard applications 22 kW at 525 V for standard applications 22 kW at 660 V for severe applications 22 kW at 690 V for severe applications 30 kW at 660 V for standard applications 30 kW at 690 V for standard applications 9 kW at 230 V for standard applications 7.5 kW at 230 V for severe applications 18.5 kW at 400 V for standard applications 18.5 kW at 440 V for standard applications 18.5 kW at 500 V for severe applications 18.5 kW at 525 V for severe applications
Motor power hp	10 hp at 208 V for standard applications 10 hp at 230 V for severe applications 20 hp at 460 V for severe applications 25 hp at 460 V for standard applications 25 hp at 575 V for severe applications 30 hp at 575 V for standard applications 7.5 hp at 208 V for severe applications

## Complementary

Device connection	In the motor supply line
Protection type	Phase failure: line Thermal protection: motor Thermal protection: starter
Standards	IEC 60947-4-2

<b>Product certifications</b>	CCC CSA TCF UL GOST NOM 117 C-Tick SEPRO DNV
<b>Marking</b>	CE
<b>Discrete input number</b>	5
<b>Discrete input type</b>	PTC, 750 Ohm at 25 °C (Stop, Run, LI3, LI4) logic, <= 8 mA 4300 Ohm
<b>Discrete input logic</b>	Positive logic Stop, Run, LI3, LI4 at State 0: < 5 V and <= 2 mA at State 1: > 11 V, >= 5 mA
<b>Minimum switching current</b>	10 mA at 6 V DC for relay outputs
<b>Discrete output number</b>	2
<b>Discrete output type</b>	(LO1) logic output 0 V common configurable (LO2) logic output 0 V common configurable (R1) relay outputs fault relay NO (R2) relay outputs end of starting relay NO (R3) relay outputs motor powered NO
<b>Analogue output type</b>	Current output AO: 0-20 mA or 4-20 mA, impedance <500 Ohm
<b>Communication port protocol</b>	Modbus
<b>Connector type</b>	1 RJ45
<b>Communication data link</b>	Serial
<b>Physical interface</b>	RS485 multidrop
<b>Transmission rate</b>	4800, 9600 or 19200 bps
<b>Function available</b>	External bypass (optional)
<b>Operating position</b>	Vertical +/- 10 degree
<b>Height</b>	275 mm
<b>Width</b>	160 mm
<b>Depth</b>	190 mm
<b>Product weight</b>	4.9 kg

## Environment

<b>Electromagnetic compatibility</b>	Conducted and radiated emissions level A conforming to IEC 60947-4-2 Conducted and radiated emissions level B conforming to IEC 60947-4-2 Damped oscillating waves level 3 conforming to IEC 61000-4-12 Electrostatic discharge level 3 conforming to IEC 61000-4-2 Immunity to electrical transients level 4 conforming to IEC 61000-4-4 Immunity to radiated radio-electrical interference level 3 conforming to IEC 61000-4-3 Voltage/current impulse level 3 conforming to IEC 61000-4-5
<b>Relative humidity</b>	0...95 % without condensation or dripping water conforming to IEC 60068-2-3
<b>Ambient air temperature for operation</b>	40...60 °C (with current derating of 2 % per °C) -10...40 °C (without derating)
<b>Ambient air temperature for storage</b>	-25...70 °C
<b>Operating altitude</b>	<= 1000 m without derating > 1000...2000 m with current derating of 2.2 % per additional 100 m

## Packing Units

<b>Unit Type of Package 1</b>	PCE
-------------------------------	-----

<b>Number of Units in Package 1</b>	1
<b>Package 1 Height</b>	26.0 cm
<b>Package 1 Width</b>	29.0 cm
<b>Package 1 Length</b>	36.5 cm
<b>Package 1 Weight</b>	6.625 kg
<b>Unit Type of Package 2</b>	P06
<b>Number of Units in Package 2</b>	8
<b>Package 2 Height</b>	73.5 cm
<b>Package 2 Width</b>	80.0 cm
<b>Package 2 Length</b>	60.0 cm
<b>Package 2 Weight</b>	66.0 kg

## Contractual warranty

<b>Warranty (in months)</b>	18
-----------------------------	----



## Environmental Data

Schneider Electric aims to achieve Net Zero status by 2050 through supply chain partnerships, lower impact materials, and circularity via our ongoing “Use Better, Use Longer, Use Again” campaign to extend product lifetimes and recyclability.

[Environmental Data explained >](#)

[How we assess product sustainability >](#)

### Use Better



#### Materials and Substances

SCIP Number

Fb0e016f-7168-4cf9-816d-12b428ae149a

EU RoHS Directive

[Compliant By Exemption](#)

California proposition 65

**WARNING:** This product can expose you to chemicals including: Lead and lead compounds, which is known to the State of California to cause cancer and birth defects or other reproductive harm. For more information go to [www.P65Warnings.ca.gov](http://www.P65Warnings.ca.gov)

### Use Longer



#### Lifetime extension

Repair

No

### Use Again



#### Repack and remanufacture

WEEE Label

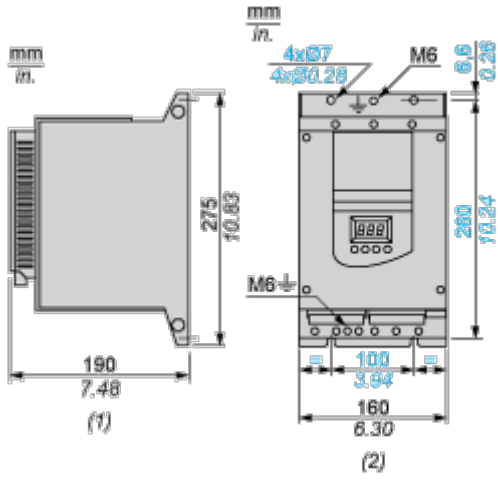


The product must be disposed on European Union markets following specific waste collection and never end up in rubbish bins

Dimensions Drawings

Dimensions

---



- (1) Right View
- (2) Front View

Mounting and Clearance

Clearance

---

