

Product data sheet

Specifications



soft starter for asynchronous motor, Altistart 48, 21A, 208 to 690V, 5.5 to 18.5kW

ATS48D22Y

! Discontinued

! Discontinued on: Aug 7, 2023

! To be end-of-service on: Dec 31, 2030

Product availability: Stock - Normally stocked in distribution facility

Main

Range of Product	Altistart 48
Product or Component Type	Soft starter
Product destination	Asynchronous motors
Product Specific Application	Heavy duty industry and pumps
Device short name	ATS48
Utilisation category	AC-53A
Ue power supply voltage	208...690 V - 15...10 %
power supply frequency	50...60 Hz - 5...5 %
Motor power kW	11 kW 400 V for standard applications 11 kW 440 V for standard applications 11 kW 500 V for standard applications 11 kW 525 V for standard applications 11 kW 660 V for severe applications 15 kW 660 V for standard applications 15 kW 690 V for severe applications 4 kW 230 V for severe applications 9 kW 500 V for severe applications 9 kW 525 V for severe applications 7.5 kW 400 V for severe applications 7.5 kW 440 V for severe applications 18.5 kW 690 V for standard applications 5.5 kW 230 V for standard applications
Maximum Horse Power Rating	10 hp 460 V for severe applications 15 hp 460 V for standard applications 15 hp 575 V for severe applications 20 hp 575 V for standard applications 3 hp 208 V for severe applications 5 hp 208 V for standard applications 5 hp 230 V for severe applications 7.5 hp 230 V for standard applications

Complementary

Device connection	In the motor supply line
Protection type	Phase failure line Thermal protection motor Thermal protection starter
Standards	IEC 60947-4-2

Price is "List Price" and may be subject to a trade discount – check with your local distributor or retailer for actual price.

Product Certifications	CSA SEPRO UL GOST NOM 117 TCF CCC C-tick DNV
Marking	CE
Discrete input number	5
Discrete input type	PTC, 750 Ohm 77 °F (25 °C) Stop, Run, LI3, LI4) logic, <= 8 mA 4300 Ohm
Discrete input logic	Positive logic Stop, Run, LI3, LI4 < 5 V <= 2 mA > 11 V, >= 5 mA
Minimum switching current	10 mA 6 V DC relay outputs
Discrete output number	2
Discrete output type	LO1) logic output 0 V common configurable LO2) logic output 0 V common configurable R1) relay outputs fault relay NO R2) relay outputs end of starting relay NO R3) relay outputs motor powered NO
Analogue output type	Current output AO 0-20 mA or 4-20 mA 500 Ohm
Communication Port Protocol	Modbus
Connector Type	1 RJ45
Communication data link	Serial
Physical interface	RS485 multidrop
Transmission Rate	4800, 9600 or 19200 bps
Function Available	External bypass (optional)
Operating position	Vertical +/- 10 degree
Height	10.8 in (275 mm)
Width	6.3 in (160 mm)
Depth	7.5 in (190 mm)
Product Weight	10.8 lb(US) (4.9 kg)

Environment

Electromagnetic compatibility	Conducted and radiated emissions level A conforming to IEC 60947-4-2 Conducted and radiated emissions level B conforming to IEC 60947-4-2 Damped oscillating waves level 3 conforming to IEC 61000-4-12 Electrostatic discharge level 3 conforming to IEC 61000-4-2 Immunity to electrical transients level 4 conforming to IEC 61000-4-4 Immunity to radiated radio-electrical interference level 3 conforming to IEC 61000-4-3 Voltage/current impulse level 3 conforming to IEC 61000-4-5
Relative humidity	0...95 % without condensation or dripping water IEC 60068-2-3
Ambient air temperature for operation	104...140 °F (40...60 °C) (with current derating of 2 % per °C) 14...104 °F (-10...40 °C) (without derating)
Ambient Air Temperature for Storage	-13...158 °F (-25...70 °C)
Operating altitude	<= 3280.84 ft (1000 m) without derating > 3280.84...6561.68 ft (> 1000...2000 m) with current derating of 2.2 % per additional 100 m

Ordering and shipping details

Category	US1CP1G22579
-----------------	--------------

Discount Schedule	CP1G
GTIN	3389110982213
Returnability	Yes
Country of origin	US

Packing Units

Unit Type of Package 1	PCE
Nbr. of units in pkg.	1
Package 1 Height	11.4 in (29 cm)
Package 1 Width	10.2 in (26 cm)
Package 1 Length	14.6 in (37 cm)
Package weight(Lbs)	13.345 lb(US) (6.053 kg)
Unit Type of Package 2	P06
Number of Units in Package 2	8
Package 2 Height	28.9 in (73.5 cm)
Package 2 Width	31.5 in (80 cm)
Package 2 Length	23.6 in (60 cm)
Package 2 Weight	135.417 lb(US) (61.424 kg)

Contractual warranty

Warranty (in months)	18
----------------------	----



Environmental Data

Schneider Electric aims to achieve Net Zero status by 2050 through supply chain partnerships, lower impact materials, and circularity via our ongoing “Use Better, Use Longer, Use Again” campaign to extend product lifetimes and recyclability.

[Environmental Data explained >](#)

[How we assess product sustainability >](#)

Use Better

Materials and Substances

SCIP Number **Fb0e016f-7168-4cf9-816d-12b428ae149a**

EU RoHS Directive [Compliant By Exemption](#)

California proposition 65 **WARNING: This product can expose you to chemicals including: Lead and lead compounds, which is known to the State of California to cause cancer and birth defects or other reproductive harm. For more information go to www.P65Warnings.ca.gov**

Use Longer

Lifetime extension

Repair **No**

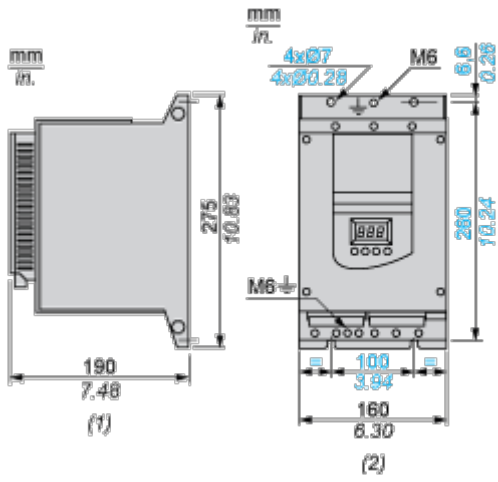
Use Again

Repack and remanufacture

WEEE Label **The product must be disposed on European Union markets following specific waste collection and never end up in rubbish bins.**

Dimensions Drawings

Dimensions



- (1) Right View
- (2) Front View

Mounting and Clearance

Clearance

