

Product data sheet

Specifications



SSR - DIN rail mount - input 4-28 V DC, output 4-28 V DC, 0.1A, positive logic

SSLM1D101BD

! Discontinued

! Discontinued on: Jul 14, 2021

! End-of-service on: Dec 31, 2021

Product availability: Non-Stock - Not normally stocked in distribution facility

Main

Range of Product	Harmony Relay
Device short name	SSLM
Phase	1 phase

Complementary

Mounting Support	Symmetrical DIN rail
Line Rated Current	0.1 A
Output voltage	4...28 V DC
[Uc] control circuit voltage	4...28 V DC
contacts type and configuration	1 NO
CLAMPING FORCE	0.6...0.8 N.m
Connections - terminals	Screw terminals, 1 x 0.2...1 x 5.26 mm ² AWG 24...AWG 10)
Switching voltage	4 V DC turn-on
Load current	0.1 A
Maximum voltage drop	<0.5 V on-state
Response time	30 μs (turn-on) 60 μs (turn-off)
Overvoltage category	III
Width	0.3 in (7.5 mm)
Height	3.1 in (80 mm)
Depth	2.5 in (63 mm)
Product Weight	0.07 lb(US) (0.03 kg)
Device presentation	Complete product

Environment

Dielectric strength	4000 V for input/output
Pollution degree	2
Product Certifications	UL CSA EAC

Price is "List Price" and may be subject to a trade discount – check with your local distributor or retailer for actual price.

Marking	EAC CSA CE UL
----------------	------------------------

Ambient Air Temperature for Operation	32...158 °F (0...70 °C)
--	-------------------------

Ordering and shipping details

Category	US10CP221127
-----------------	--------------

Discount Schedule	0CP2
--------------------------	------

GTIN	3606485441764
-------------	---------------

Returnability	No
----------------------	----

Packing Units

Unit Type of Package 1	PCE
-------------------------------	-----

Nbr. of units in pkg.	1
------------------------------	---

Package 1 Height	2.4 in (6 cm)
-------------------------	---------------

Package 1 Width	0.30 in (0.75 cm)
------------------------	-------------------

Package 1 Length	3.1 in (8 cm)
-------------------------	---------------

Package weight(Lbs)	1.09 oz (31 g)
----------------------------	----------------

Contractual warranty

Warranty (in months)	18
-----------------------------	----



Environmental Data

Schneider Electric aims to achieve Net Zero status by 2050 through supply chain partnerships, lower impact materials, and circularity via our ongoing “Use Better, Use Longer, Use Again” campaign to extend product lifetimes and recyclability.

[Environmental Data explained >](#)

[How we assess product sustainability >](#)

Use Better

Materials and Substances

EU RoHS Directive

[Compliant By Exemption](#)

California proposition 65

WARNING: This product can expose you to chemicals including: Nickel compounds, which is known to the State of California to cause cancer, and Di-isodecyl phthalate (DIDP), which is known to the State of California to cause birth defects or other reproductive harm. For more information go to www.P65Warnings.ca.gov

Use Longer

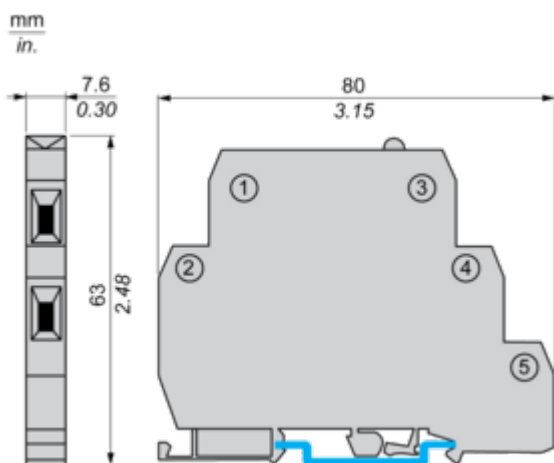
Lifetime extension

Repair

No

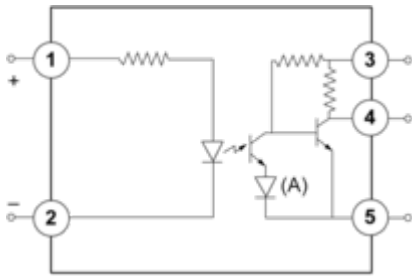
Dimensions Drawings

Dimensions



Connections and Schema

Wiring Diagram



- 1,2 : Field VDC
- 3 : Vcc
- 4 : Logic
- 5 : Ground
- (A) LED

Technical Illustration

Dimensions

