

Product data sheet

Specifications



soft starter for asynchronous motor, Altistart 48, 65A, 208 to 690V, 15 to 55kW

ATS48D75Y

! Discontinued

! Discontinued on: Aug 7, 2023

! To be end-of-service on: Dec 31, 2030

Product availability: Stock - Normally stocked in distribution facility

Main

| | |
|------------------------------|--------------------------------------------------------------------------------------------------------------------------------------------------------------------------------------------------------------------------------------------------------------------------------------------------------------------------------------------------------------------------------------------------------------------------------------------------------------------------------------------------------------------------------------------------------------------------------|
| Range of Product | Altistart 48 |
| Product or Component Type | Soft starter |
| Product destination | Asynchronous motors |
| Product Specific Application | Heavy duty industry and pumps |
| Device short name | ATS48 |
| Utilisation category | AC-53A |
| Ue power supply voltage | 208...690 V - 15...10 % |
| power supply frequency | 50...60 Hz - 5...5 % |
| Motor power kW | 15 kW 230 V for severe applications 30 kW 400 V for severe applications 30 kW 440 V for severe applications 37 kW 400 V for standard applications 37 kW 440 V for standard applications 37 kW 500 V for severe applications 37 kW 525 V for severe applications 45 kW 500 V for standard applications 45 kW 525 V for standard applications 45 kW 660 V for severe applications 45 kW 690 V for severe applications 55 kW 660 V for standard applications 55 kW 690 V for standard applications 18.5 kW 230 V for standard applications |
| Maximum Horse Power Rating | 15 hp 208 V for severe applications 20 hp 208 V for standard applications 20 hp 230 V for severe applications 25 hp 230 V for standard applications 40 hp 460 V for severe applications 50 hp 460 V for standard applications 50 hp 575 V for severe applications 60 hp 575 V for standard applications |

Complementary

| | |
|-------------------|------------------------------------------------------------------------------|
| Device connection | In the motor supply line |
| Protection type | Phase failure line Thermal protection motor Thermal protection starter |
| Standards | IEC 60947-4-2 |

Price is "List Price" and may be subject to a trade discount – check with your local distributor or retailer for actual price.

| | |
|------------------------------------|----------------------------------------------------------------------------------------------------------------------------------------------------------------------------------------------------------------|
| Product Certifications | SEPRO TCF CCC CSA UL C-tick NOM 117 DNV GOST |
| Marking | CE |
| Discrete input number | 5 |
| Discrete input type | PTC, 750 Ohm 77 °F (25 °C) Stop, Run, LI3, LI4) logic, <= 8 mA 4300 Ohm |
| Discrete input logic | Positive logic Stop, Run, LI3, LI4 < 5 V <= 2 mA > 11 V, >= 5 mA |
| Minimum switching current | 10 mA 6 V DC relay outputs |
| Discrete output number | 2 |
| Discrete output type | LO1) logic output 0 V common configurable LO2) logic output 0 V common configurable R1) relay outputs fault relay NO R2) relay outputs end of starting relay NO R3) relay outputs motor powered NO |
| Analogue output type | Current output AO 0-20 mA or 4-20 mA 500 Ohm |
| Communication Port Protocol | Modbus |
| Connector Type | 1 RJ45 |
| Communication data link | Serial |
| Physical interface | RS485 multidrop |
| Transmission Rate | 4800, 9600 or 19200 bps |
| Function Available | External bypass (optional) |
| Operating position | Vertical +/- 10 degree |
| Height | 11.4 in (290 mm) |
| Width | 7.5 in (190 mm) |
| Depth | 9.3 in (235 mm) |
| Product Weight | 18.3 lb(US) (8.3 kg) |

Environment

| | |
|----------------------------------------------|----------------------------------------------------------------------------------------------------------------------------------------------------------------------------------------------------------------------------------------------------------------------------------------------------------------------------------------------------------------------------------------------------------------------------------------------------------------------------------------------------------------|
| Electromagnetic compatibility | Conducted and radiated emissions level A conforming to IEC 60947-4-2 Conducted and radiated emissions level B conforming to IEC 60947-4-2 Damped oscillating waves level 3 conforming to IEC 61000-4-12 Electrostatic discharge level 3 conforming to IEC 61000-4-2 Immunity to electrical transients level 4 conforming to IEC 61000-4-4 Immunity to radiated radio-electrical interference level 3 conforming to IEC 61000-4-3 Voltage/current impulse level 3 conforming to IEC 61000-4-5 |
| Relative humidity | 0...95 % without condensation or dripping water IEC 60068-2-3 |
| Ambient air temperature for operation | 104...140 °F (40...60 °C) (with current derating of 2 % per °C) 14...104 °F (-10...40 °C) (without derating) |
| Ambient Air Temperature for Storage | -13...158 °F (-25...70 °C) |
| Operating altitude | <= 3280.84 ft (1000 m) without derating > 3280.84...6561.68 ft (> 1000...2000 m) with current derating of 2.2 % per additional 100 m |

Ordering and shipping details

| | |
|-----------------|--------------|
| Category | US1CP1G22579 |
|-----------------|--------------|

| | |
|-------------------|---------------|
| Discount Schedule | CP1G |
| GTIN | 3389110982305 |
| Returnability | Yes |

Packing Units

| | |
|------------------------------|---------------------------|
| Unit Type of Package 1 | PCE |
| Nbr. of units in pkg. | 1 |
| Package 1 Height | 12.008 in (30.5 cm) |
| Package 1 Width | 14.4 in (36.5 cm) |
| Package 1 Length | 15.7 in (40 cm) |
| Package weight(Lbs) | 23.470 lb(US) (10.646 kg) |
| Unit Type of Package 2 | P06 |
| Number of Units in Package 2 | 2 |
| Package 2 Height | 28.9 in (73.5 cm) |
| Package 2 Width | 31.5 in (80 cm) |
| Package 2 Length | 23.6 in (60 cm) |
| Package 2 Weight | 75.601 lb(US) (34.292 kg) |

Contractual warranty

| | |
|----------------------|----|
| Warranty (in months) | 18 |
|----------------------|----|



Environmental Data

Schneider Electric aims to achieve Net Zero status by 2050 through supply chain partnerships, lower impact materials, and circularity via our ongoing “Use Better, Use Longer, Use Again” campaign to extend product lifetimes and recyclability.

[Environmental Data explained >](#)

[How we assess product sustainability >](#)

Use Better

Materials and Substances

SCIP Number **Fb0e016f-7168-4cf9-816d-12b428ae149a**

EU RoHS Directive [Compliant By Exemption](#)

California proposition 65 **WARNING: This product can expose you to chemicals including: Lead and lead compounds, which is known to the State of California to cause cancer and birth defects or other reproductive harm. For more information go to www.P65Warnings.ca.gov**

Use Longer

Lifetime extension

Repair **No**

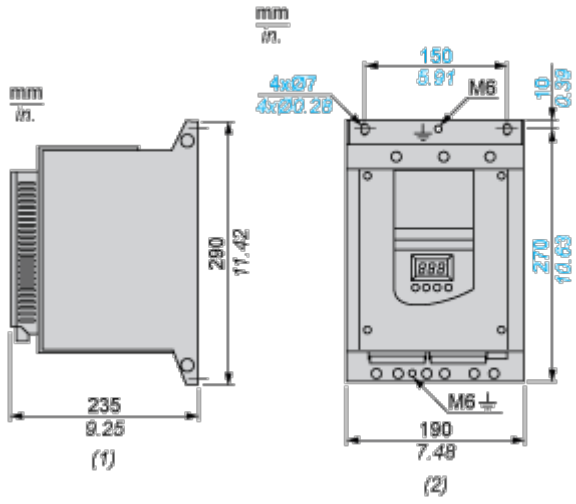
Use Again

Repack and remanufacture

WEEE Label  **The product must be disposed on European Union markets following specific waste collection and never end up in rubbish bins.**

Dimensions Drawings

Dimensions



(1) Right View
(2) Front View

Mounting and Clearance

Clearance

