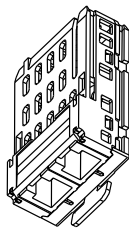
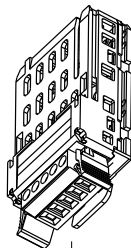




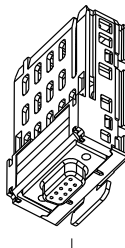
S1A4559115



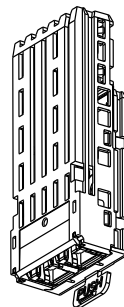
VW3A3601 / VW3A3608  
VW3A3616 / VW3A3619  
VW3A3627 / VW3A3647  
VW3A3726



VW3A3609  
VW3A3628  
VW3A3725  
VW3M3301



VW3A3607  
VW3A3618



VW3A3720  
VW3A3721  
VW3M3308  
VW3A3530D

**⚡ ⚠ DANGER****HAZARD OF ELECTRIC SHOCK, EXPLOSION, OR ARC FLASH**

- Only appropriately trained persons who are familiar with and fully understand the contents of the present manual and all other pertinent product documentation and who have received all necessary training to recognize and avoid hazards involved are authorized to work on and with this equipment.
- Disconnect all power, including external control power that may be present. Take into account that the circuit breaker or main switch does not deenergize all circuits.
- Installation, adjustment, repair, and maintenance must be performed by qualified personnel.
- Verify compliance with all local and national electrical code requirements as well as all other applicable regulations with respect to grounding of all equipment.
- Before performing work and/or applying voltage on the equipment, follow the instructions given in the appropriate installation manual.

**Failure to follow these instructions will result in death or serious injury.**

Electrical equipment should be installed, operated, serviced, and maintained only by qualified personnel. No responsibility is assumed by Schneider Electric for any consequences arising out of the use of this product. © 2026 Schneider Electric. All Rights Reserved.



**MANUFACTURER**  
Schneider Electric Industries SAS  
1884 Boulevard de la Défense  
92500 Nanterre, France

**UK REPRESENTATIVE**  
Schneider Electric Limited  
Stafford Park 5  
Telford, TF3 3BL United Kingdom



Опция для продуктов Altivar и Altistart. Пожалуйста, обратитесь к сообщению о преобразователе частоты EAC / программному сартере в приложении к началу работы, размещенном на веб-сайте производителя. Авторизованный поставщик в Республике Казахстан:  
ТОО «Шнейдер Электрик»  
Адрес: 050010, РК, г. Алматы, пр. Достық, 38, бизнес-центр «Кен Дала», 5 этаж, левое крыло.  
Тел.: +7 (727) 339 23 57  
Номер службы поддержки клиентов:  
Тел.: +7 (727) 339 24 52

Altivar және Altistart өніміне арналған опция. Өндірушінің веб-сайтында орналастырылған «Жұмысқа кірісу» қосымшасындағы EAC жиілік инвертер / бірқалыпты іске қосу құрылғысы хабарламасына сілтеме жасауыңызды сұраймыз.  
Қазақстан Республикасындағы уәкілетті жеткізуші:  
ЖШС «Шнейдер Электрик»  
Мекен-жайы: 050010, ҚР, Алматы қаласы, Достық даңғылы, 38, «Кең дала» бизнес орталығы, 5-қабат, сол қанат.  
тел.: +7 (727) 339 23 57  
Клиенттерге қызмет көрсету нөмірі:  
тел.: +7 (727) 339 24 52

Option Module	Lexium	Altivar Machine				Altivar Process		Altivar Soft Starter		Altivar HVAC		MV Drive
	LXM32	ATV32	ATV320	ATV340 <sup>(1)</sup>	ATV600 <sup>(2)</sup>	ATV900	ATS480	ATS490	ATH200	ATH600	ATV6000	
<b>VM3A3601</b> EtherCAT	V14/E06 (V14/E08)	V12/E03 (V11/E08)	V27/E23 (V19/E09)	V11/E02 (V11/E01)		V12/E02 (V18/E05)						✓
<b>VM3A3607</b> PROFIBUS DP	V10/E03 (V13/E01)	V11/E01 (V13/E01)	V27/E23 (V12/E01)	V11/E02 (V12/E01)	V11/E01 (V19/E01)	V11/E01 (V110/E01)	V11/E01 (V18/E08)	V11/E01 (V116/E08)				✓
<b>VM3A3608 VM3A3618</b> VM3A3628 CANopen	V10/E03 (✓)	V12/E03 (V11/E01)	V27/E23 (V11/E01)	V11/E02 (V11/E01)	V11/E01 (V11/E01)	V11/E01 (V11/E01)	V11/E01 (V11/E01)	V11/E01 (V11/E01)				✓
<b>VM3A3609</b> DeviceNet		V11/E01 (V11/E01)	V27/E23 (V18/E01)	V11/E02 (V18/E01)	V11/E01 (V15/E05)	V11/E01 (V15/E05)						✓
<b>VM3A3616</b> Ethernet TCP/IP	V10/E03 (V11/E31)	V11/E01 (V12/E01)	V27/E23 (V1E/E01)									
<b>VM3A3619</b> POWERLINK		V15/E08 (V10/E08)	V27/E23 (V10/E08)	V15/E10 (V11/E04)	V22/E24 (V11/E04)	V18/E14 (V11/E04)						
<b>VM3A3627</b> PROFINET		V18/E11 (V10/E15)	V27/E23 (V16/E01)	V11/E02 (V16/E01)	V11/E01 (V13/E01)	V11/E01 (V13/E01)						✓
<b>VM3A3647</b> PROFINET + S2 Redundancy			V39/E50 (V32/E12)	V42/E36 (V32/E12)	V38/E42 (V31/E10)	V39/E36 (V31/E10)	V12/E03 (V32/E12)	V12/E03 (V32/E12)				✓

Drive/Soft Starter version ≥  
(Option Module version ≥)

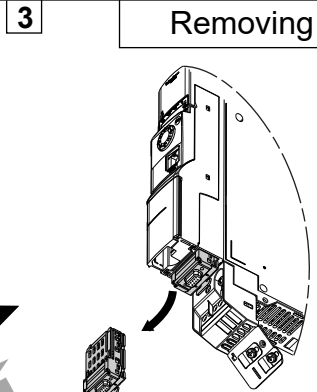
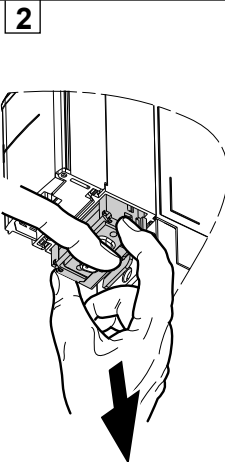
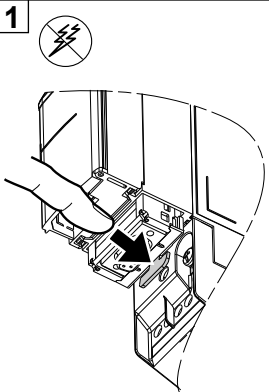
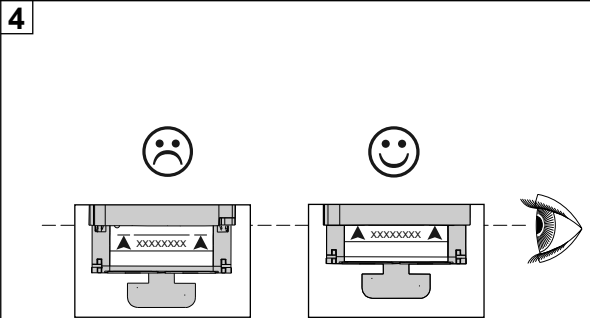
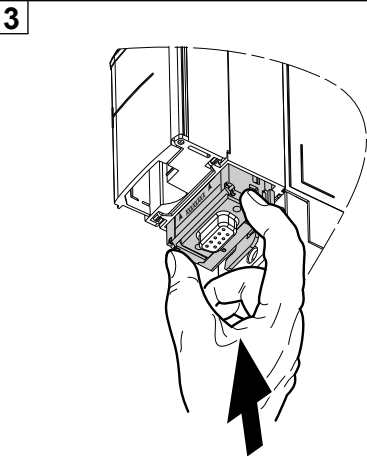
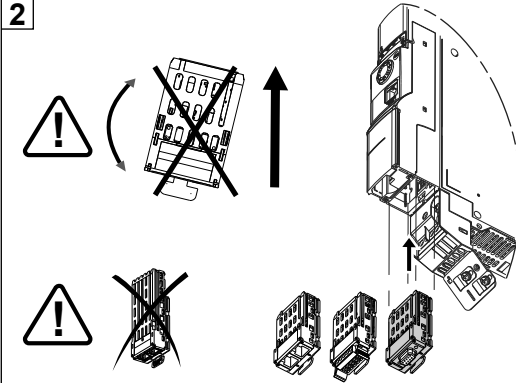
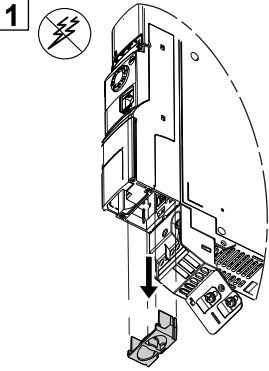
(1) Fieldbus modules can not be used on the ATV340\*\*\*N4S and ATV340\*\*\*NE ≤ 22kW. For more information, see the ATV340 Installation Manual (NVE61069).  
(2) ATV310 is compatible only with VM3A3607 PROFIBUS DP Fieldbus module.

Option Module	Lexium		Altivar Machine			Altivar Process		Altivar Soft Starter		Altivar HVAC		MV Drive
	LXM32	ATV32	ATV320	ATV340 (1)	ATV600 (2)	ATV900	ATS480	ATS490	ATH200	ATH600	ATV6000	
<b>Drive/Soft Starter version ≥ (Option Module version ≥)</b>												
VW3A3720 Ethernet IP/ Modbus TCP					V15IE11 V18IE12) (3)		V14IE01 V24IE00)					
VW3A3721 Ethernet IP/ Modbus TCP + MultiDrive Link					V16IE12 V18IE13) (3)							
VW3A3725 BA Chet MS/TP					V17IE16 (V14IE●●)							
VW3A3726 BA Chet IP									V10IE00 (V10IE07)	V111E02 (V10IE07)		
VW3M3301 DeviceNet		≥ V10IE03 ≤ V120IE05 (V10)										
VW3M3308 PROFINET		V124IE03 (V10IE11)										
VW3A3550D ATV dPAC Module					For the Altivar Firmware Version, contact your Schneider Electric Customer Care Center on <a href="http://www.se.com/CCC">www.se.com/CCC</a>							

(1) Fieldbus modules can not be used on the ATV340...N4S and ATV340...N4E ≤ 22kW. For more information, see the ATV340 Installation Manual (NVE61069).

(2) ATV610 is compatible only with VW3A3807 PROFINET DP fieldbus module.

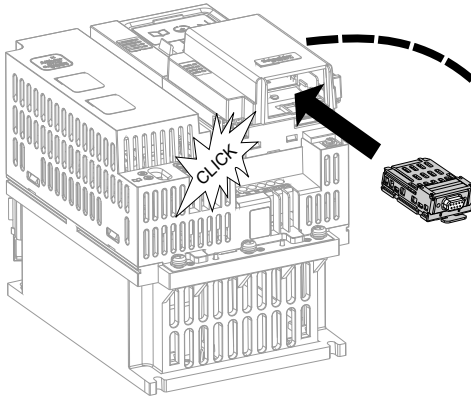
(3) Drive version ≥ V2ZIE24 is only compatible with module version ≥ V115IE18.



## Removing

# ATV320, ATH200, ATH600

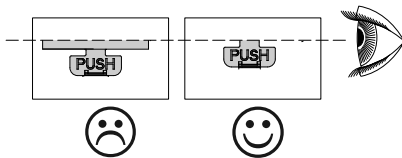
## Mounting



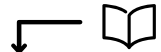
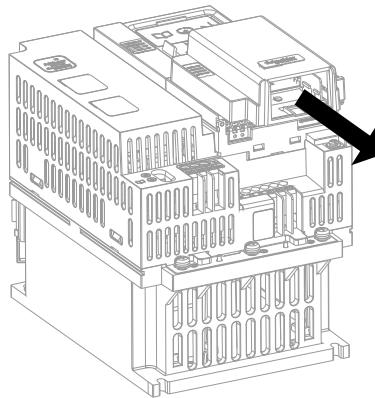
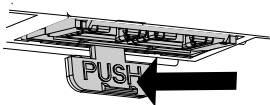
NVE22661: ATV320, ATH200  
JPS84158: ATH600



VW3A3600: ATV320, ATH200  
VW3A36001: ATH600



## Removing





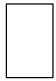
[www.se.com](http://www.se.com)

# LXM32, ATV340




## Mounting

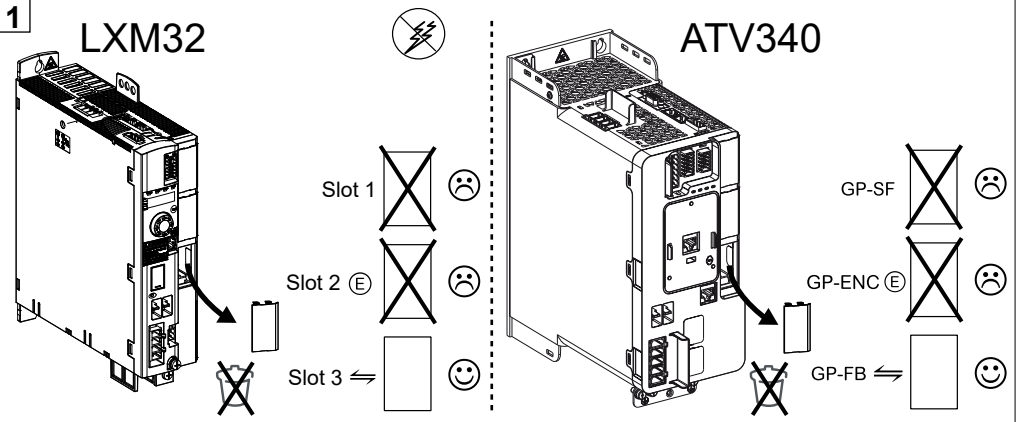
**1**

**LXM32**

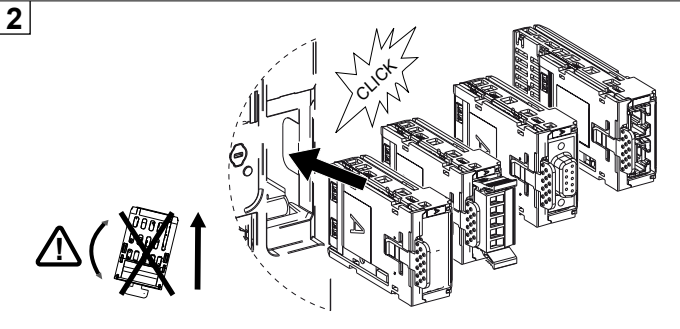
Slot 1  ☹️  
Slot 2  ☹️  
Slot 3  😊

**ATV340**

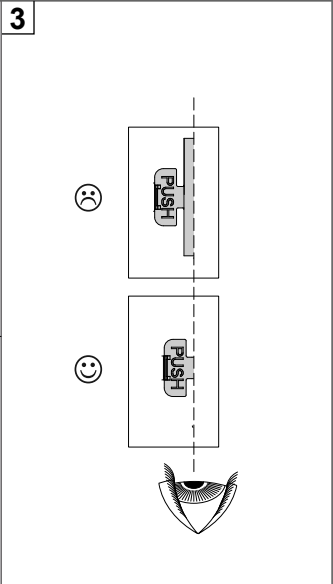
GP-SF  ☹️  
GP-ENC  ☹️  
GP-FB  😊



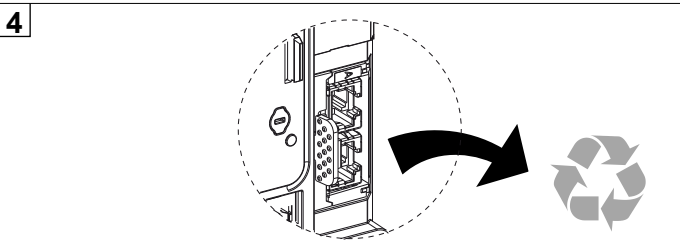
**2**



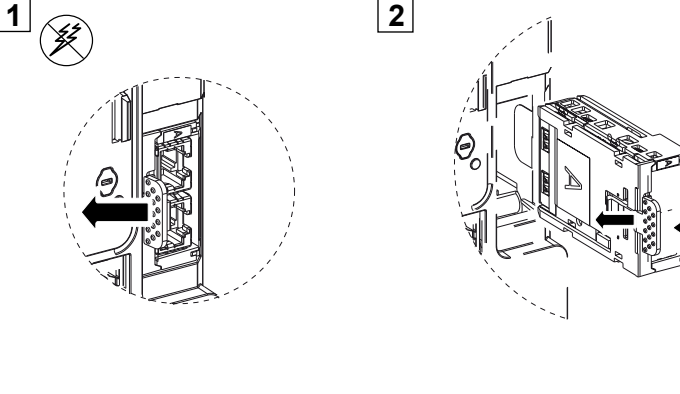
**3**



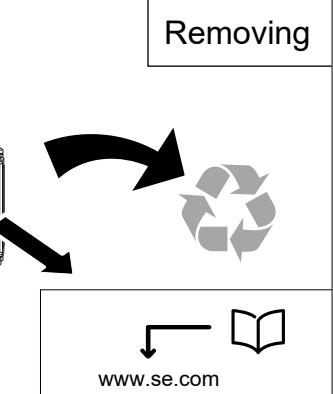
**4**



**1**



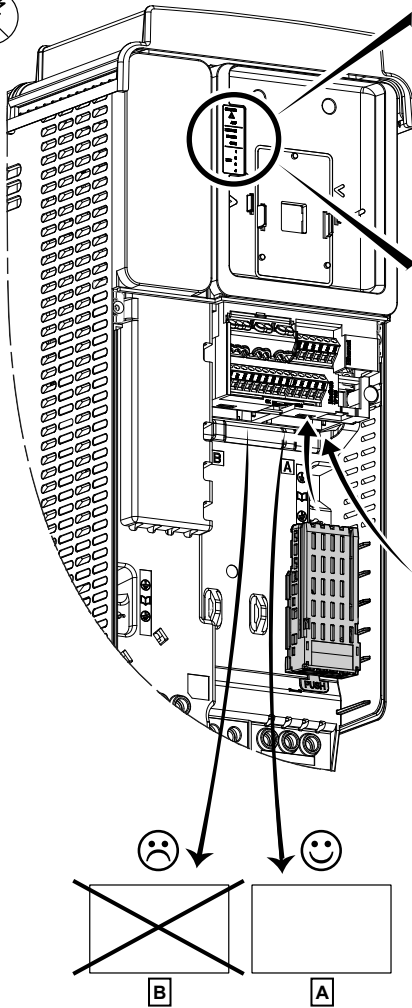
**2**



## Removing

  
[www.se.com](http://www.se.com)

1



ATV600, ATH600

- VW3A3721
- VW3A3720
- VW3A3627
- VW3A3647
- VW3A3726
- VW3A3607
- VW3A3628
- VW3A3608
- VW3A3616
- VW3A3609
- VW3A3725
- VW3A3619
- VW3A3530D



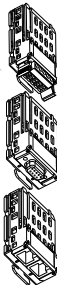
LNK1	LNK1	RUN	RUN	----	TX	L / A1	LNK1
MS	BF	BF	ERR	MNS	MS	S/E	RUN/ERR
NS	SF	----	----	----	----	L / A2	NS
K2	LNK2	----	----	----	RX	----	LNK2

ATV340, ATV900

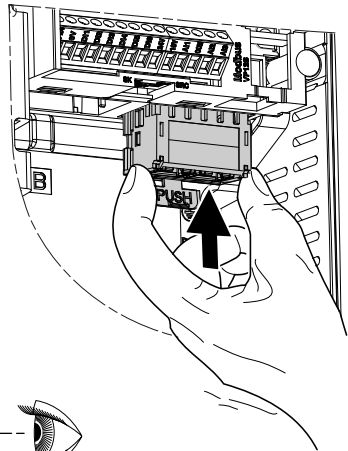
- VW3A3601
- VW3A3627
- VW3A3647
- VW3A3607
- VW3A3608
- VW3A3616
- VW3A3609
- VW3A3619
- VW3A3530D



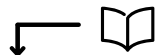
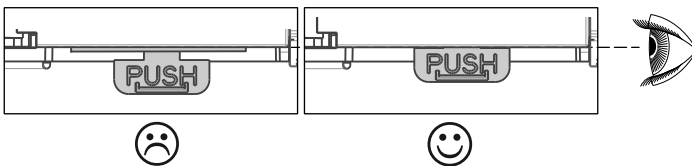
ERR	SF	----	RUN	----	E	RUN/ERR
ECT	BF	BF	ERR	MNS	S/E	NS
RUN	----	----	----	----	----	----
NET	----	----	----	----	----	----



2

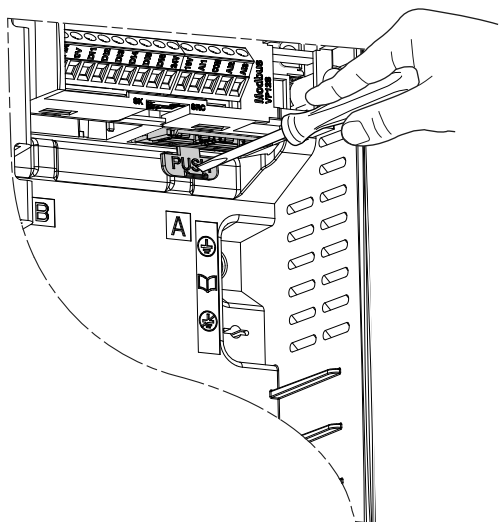


3

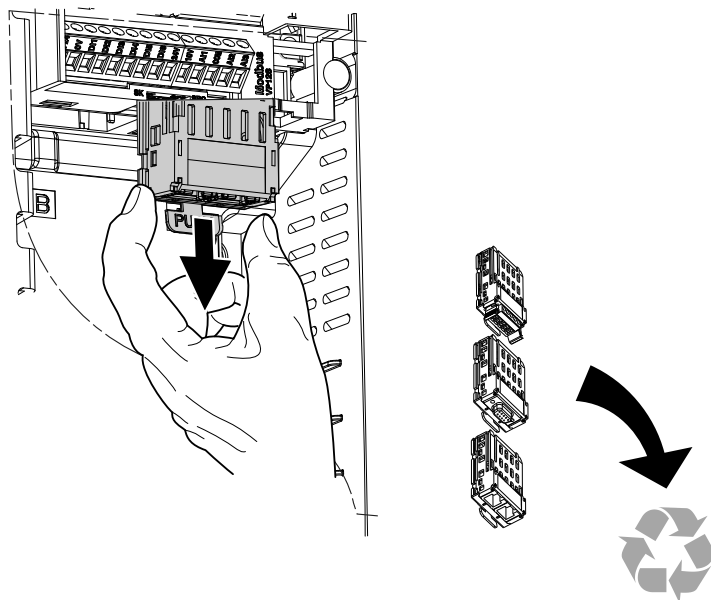


www.se.com

1

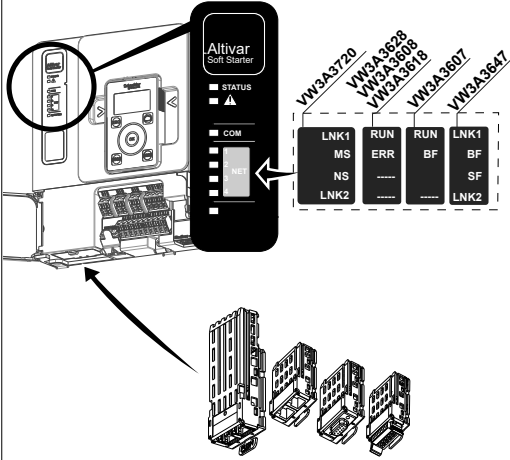


2

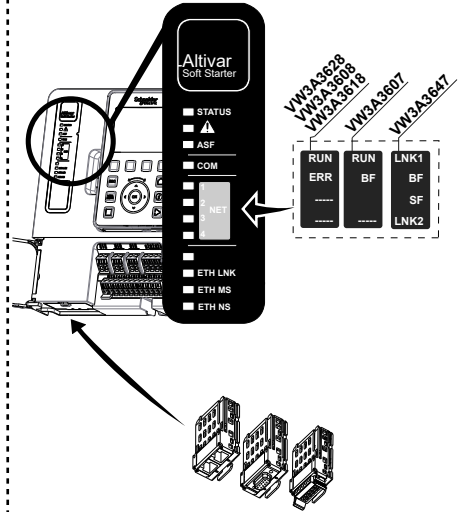




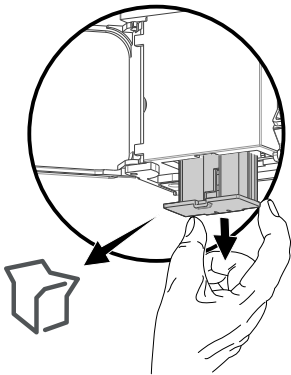
## ATS480



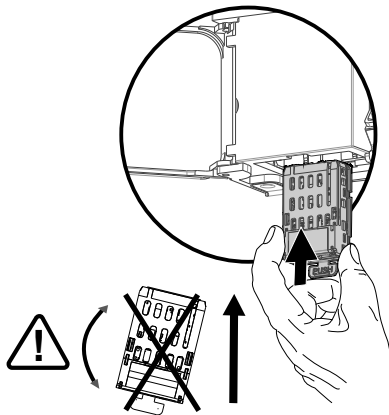
## ATS490



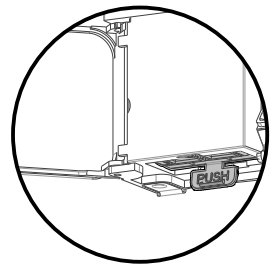
2



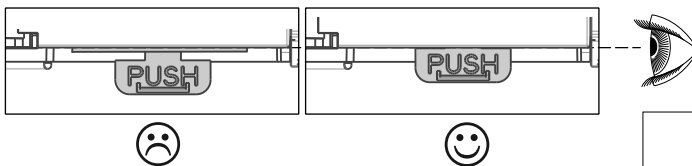
3



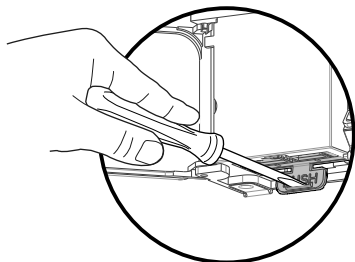
4



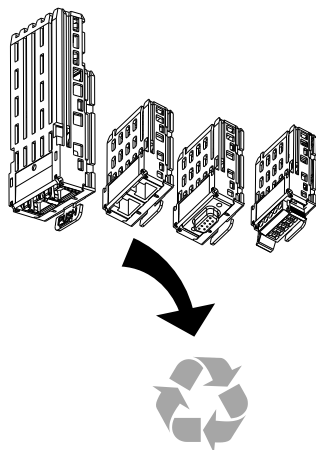
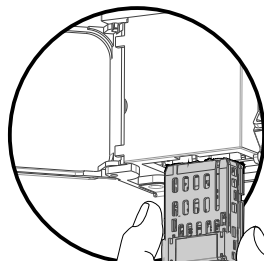
5



1



2



3

