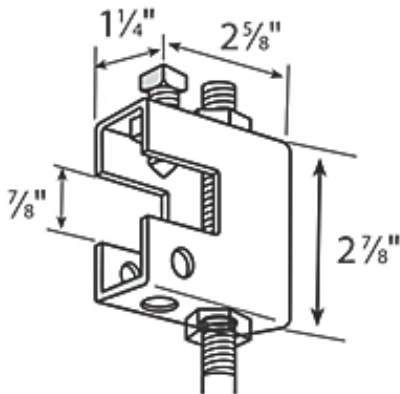




Representative



Line Art

Catalog Number: U562 HDG
Product ID: 7TAA005730R0018
UPC Number: 61601329109
Status: Active

Clamp, Beam, Opening Length 7/8 Inch, Height 2-7/8 Inches, Width 1-1/4 Inch, Depth 2-5/8 Inches, Rod Size 1/2 Inch, Design Load 500 Pounds, Hot-Dip Galvanized Steel

North American Specifications (UNSPSC)

UNSPSC	31162905 Beam clamps
IGCC	3063 Beam clamps
Brand Name	Superstrut
Type	Beam Clamps
Special Features	E146 square nut order separately
Application	For 20o swivel application use ES-145-1/2 nut
Material	Steel
Finish	Hot-Dip Galvanized

European Specifications (ETIM)

ETIM	EC000474 Screw clamp
Material	Steel
Material quality	Other
Surface protection	Hot dip galvanized
Ultimate load	2224.11N

Packaging

Outer Quantity	25
Weight Uom	80 lbs. per 100

Documents / Support Tools

Technical Drawing / Data Sheet US	Available on Website
Technical Drawing / Data Sheet Canada	Available on Website

For further technical assistance, please contact us...

Thomas & Betts - USA
 860 Ridge Lake Blvd.
 Memphis, TN 38120
 www.tnb.com

T&B Technical Support
 MS 3B-50
 860 Ridge Lake Blvd.
 Memphis, TN 38120

Hours: 7AM - 6PM CDT
 Monday-Friday
 Phone: (888) 862-3289
 Fax: (901) 252-1321
 Email:techsupport@tnb.com