



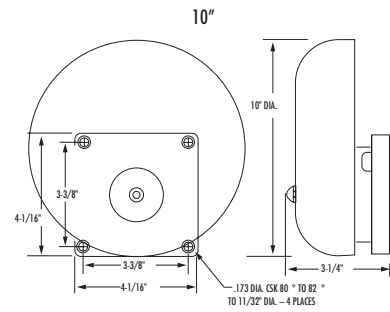
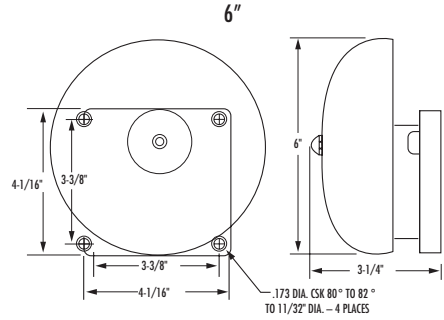
TORKALERT™ Heavy Duty Bells

APPLICATIONS

- For indoor or outdoor applications. High sound output, durable and dependable performance. Ideal for schools and hospitals.

FEATURES

- **Terminal Size:** #12 - 22 AWG.
- **Wiring:** Screw terminals permit fast IN/OUT field wiring.
- **Housing:** Steel gong and cast aluminum. See dimensional drawings.
- **Mounting:** To indoor box TA-BBSF or outdoor box TA-WBBF, see accessories page 453.



CAT. NO.	UPC CODE	SHELL SIZE	VOLTAGE	INPUT CURRENT (AMPS)	dB@ 10 FEET	COLOR
TA340-6G5	96003	6"	24VAC	0.320	81-95	Dawn Mist
TA340-6N5	96004	6"	120VAC	0.065	81-95	Dawn Mist
TA340-10G5	96005	10"	24VAC	0.320	84-98	Dawn Mist
TA434-6N5	97521	6"	120VAC	0.065	81-95	Red
TA434-10N5	96522	10"	120VAC	0.065	84-98	Red