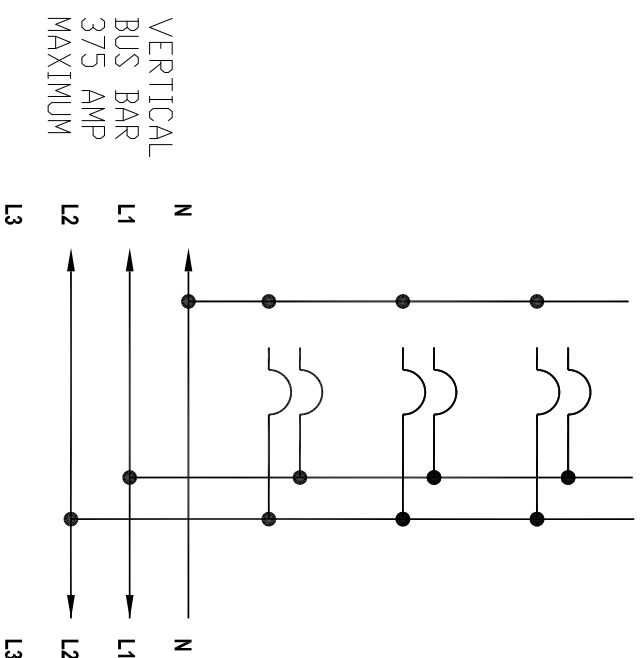
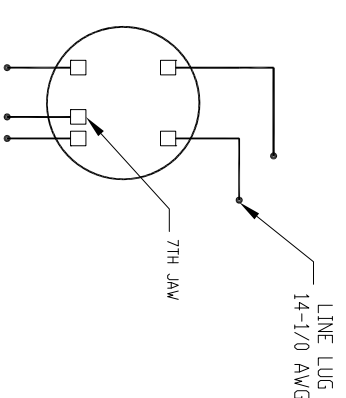
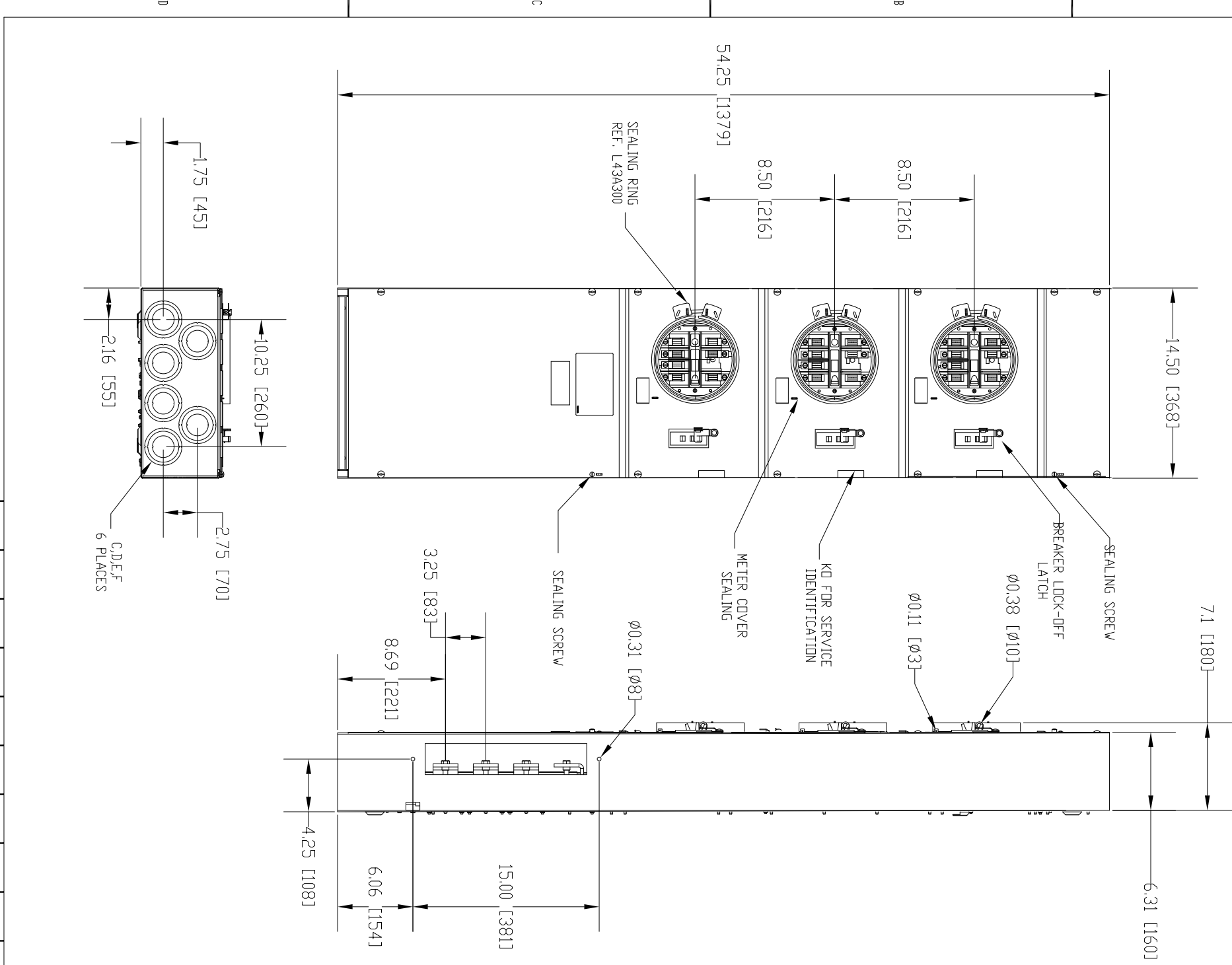


AMPERE RATING	SHORT CIRCUIT CURRENT RATING	CATALOG NUMBER	SERIES	SUB SERVICES	VERTICAL BUS BAR RATING	SERVICE GROUND LUG AWG	VERTICAL BUS BAR MATERIAL
125	22KA	MC43L3		3	375	6 X #4-14	ALUMINUM 3/4 X 3/4 IN TIN PLATING

125 AMP 4 JAW METER BASE  
 ASSEMBLY APPROVED FOR 240V  
 CSA LR13488  
 APPLY TORQUE ON LUGS  
 75-100 LB-IN



SUB-SERVICE CIRCUIT BREAKER  
 TYPE QDB / QDB VH  
 MINIMUM WIRE CONDUCTOR  
 (FROM BREAKER TO METER)  
 #1 CU-AL 125AMP MAXIMUM  
 75°C CONDUCTOR ONLY



**NOTES:**

- FINISH GRAY BAKED ENAMEL POWDER ANSI 49
- COAT PAINT OVER CLEANED COLD ROLLED STEEL
- GAUGE 16 (0.054 IN)
- NEMA TYPE 1 ENCLOSURE
- MAXIMUM SYSTEM VOLTAGE
- 120/240 VAC 1P-3W 50-60 HZ
- CSA-FILE PER REFERENCE 151178 REPORT 1160363 (LR 13488-42)
- SUITABLE FOR UNDERGROUND OR OVERHEAD SERVICE
- RINGTYPE METER MAIN 4 JAWS 3 SUB SERVICES

SYMBOL	CONDUIT SIZE	
	IN	MM
A	0.50	13
B	0.75	19
C	1.00	25
D	1.25	32
E	1.50	38
F	2.00	51
G	2.50	64
H	3.00	76

**Schneider Electric**

METER CENTRE CANADA 240V

MC43L3

Number: 73293-080-02-MC43L3

Revision: 00

Sheet: 1/1

Tolerancing Standard: INCHES/MILLIMETERS

Units of measure: DUAL

Original Format A3