

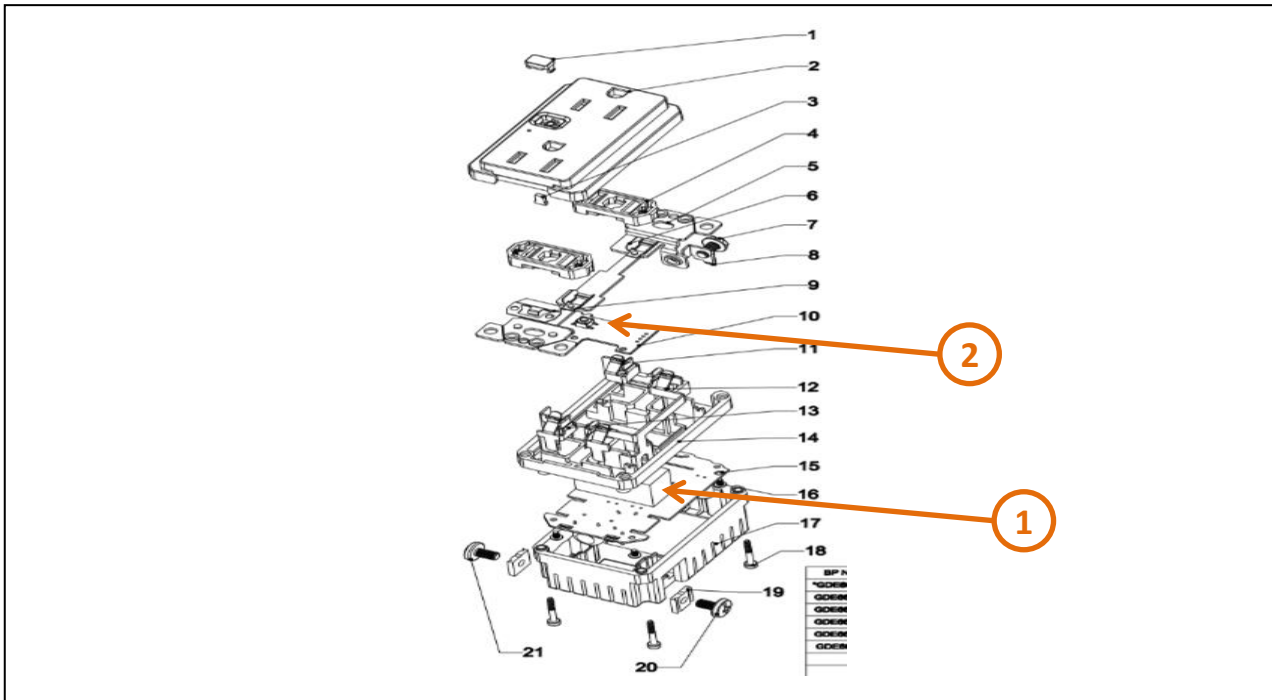
Product End of Life Instructions

WI-FI 15A TR RECEPTACLE WH





End of Life Instructions



Recommendation	Number on drawing	Component / Material	Weight (in g)	Comment
To be depolluted	1	Electronic Board (Communication) > 10cm ²	24.58	Including all soldering parts
To be depolluted	2	Electronic Board (Communication) > 10cm ²	0.9	Including all soldering parts

Product description

Manufacturer identification	Schneider Electric Industries SAS
Brand name	Schneider Electric
Product function	WiFi receptacle is to control of any connected lighting and other electrical load at any time or anywhere.
Product reference	SQR441U1WHW
Total representative product mass	114.1 g
Representative product dimensions	103mm x43.5mm x 44mm
Accessories	No
Date of information release	2023/07

Additional information

Legal information	The product family must be disposed according to the legislation of the country. This document is intended for use by end of life recyclers or treatment facilities. It provides the basic information to assure an appropriate end of life treatment for the components and materials of the product.	
In case of special transportation: transportation method	No	
Recyclability potential	38%	Recyclability rate has been calculated based on REEECY'LAB tool developed by Ecosystem, for components/materials not covered by the tool, data from the "ECO'DEEE recyclability and recoverability calculation method" was taken. If no data was found a conservative assumption was used (0% recyclability).

Schneider Electric Industries SAS
Country Customer Care Center
<http://www.schneider-electric.com/contact>
35, rue Joseph Monier
CS 30323
F- 92500 Rueil Malmaison Cedex
RCS Nanterre 954 503 439
Capital social 896 313 776 €

www.se.com

ENVEOLI2011021_V2

Published by Schneider Electric

© 2023 - Schneider Electric – All rights reserved

2023/07