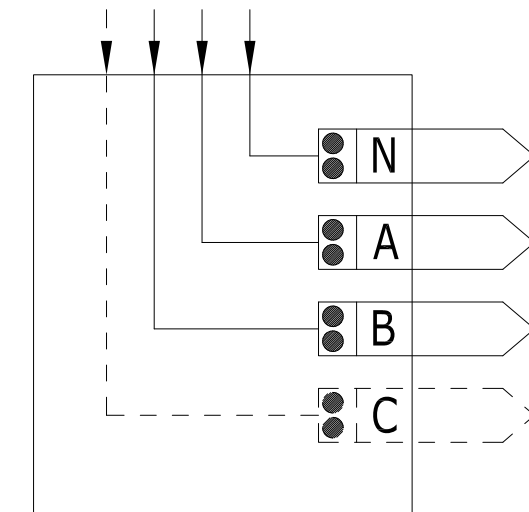
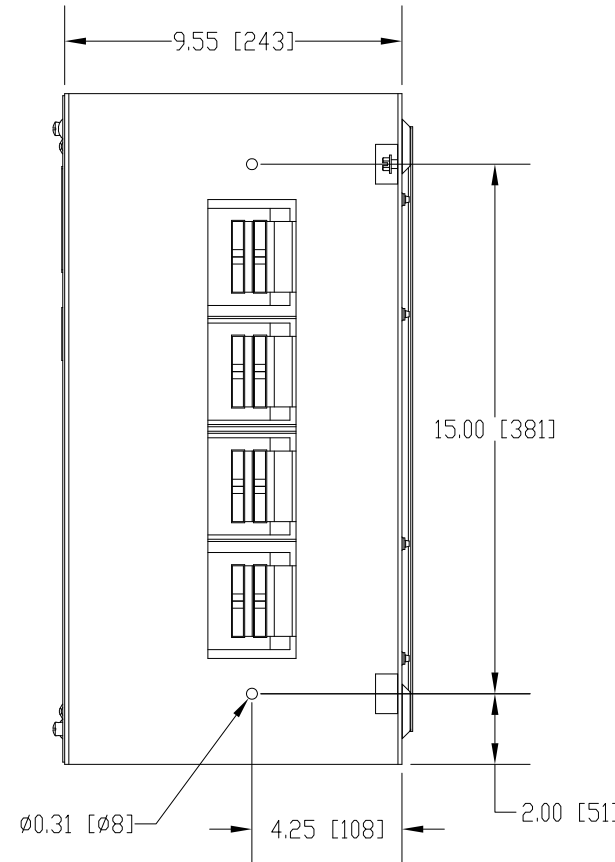
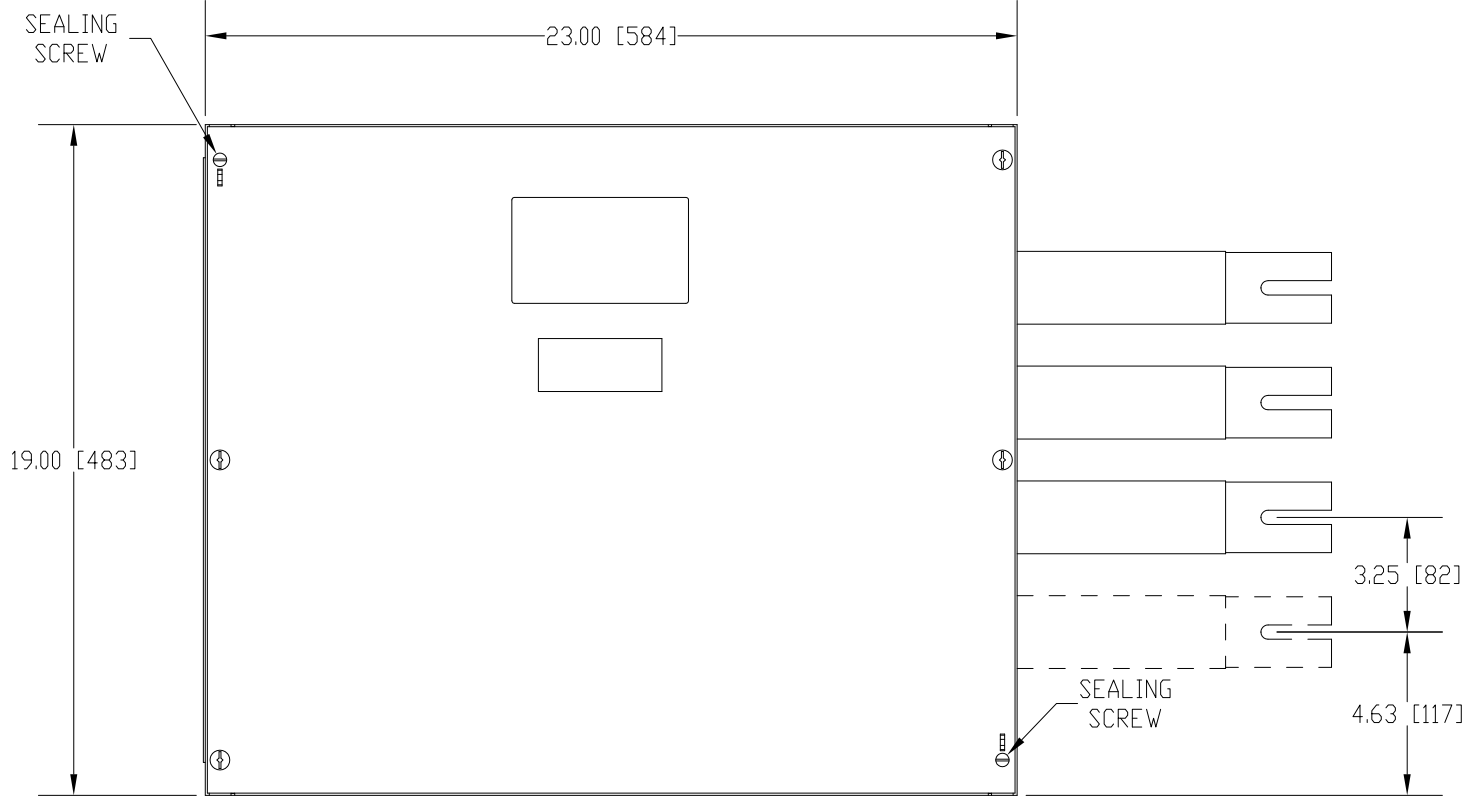
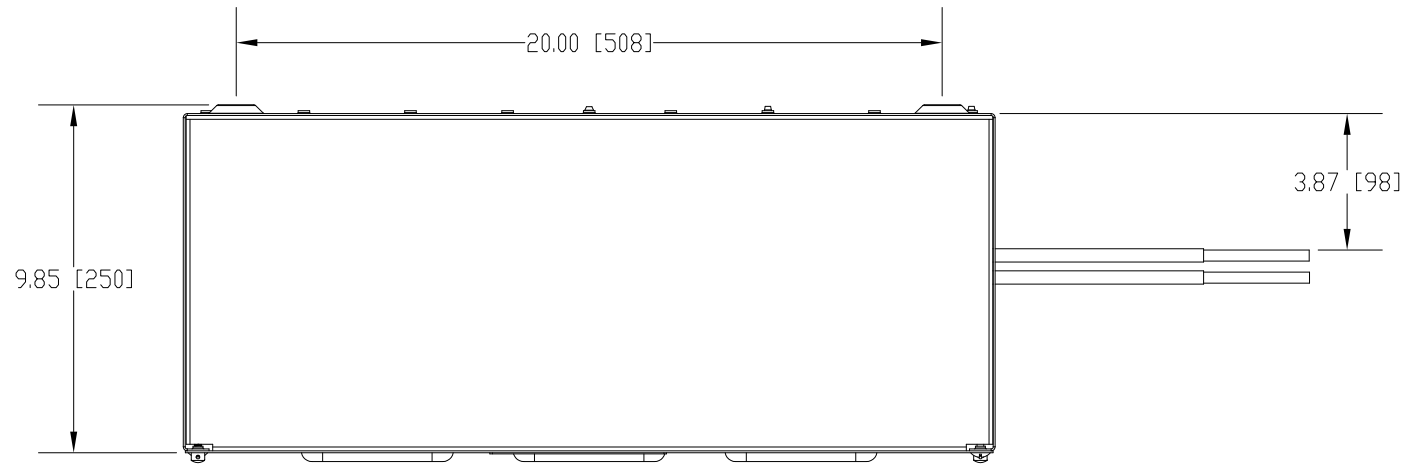


TAP BOX RATING	SHORT CIRCUIT CURRENT RATING	CATALOG NUMBER	SERIES	PHASE LUG RANGE	VERTICAL BUS BAR RATING	SERVICE GROUND LUG AWG
1200	65kA	MCTB12003L		SEE NOTES	1200	6-300 KCMIL



CABLE RANGE
 (3) WIRE #4 TO 750 MCM OR
 (4) WIRE #4 TO 600 MCM OR
 TORQUE WIRE BINDING SCREW 550 IN-LBS

NOTES:

FINISH GRAY BAKED ENAMEL POWDER ANSI 49
 COAT PAINT OVER CLEANED COLD ROLLED STEEL
 GAUGE 16 (0.054 IN)
 NEMA TYPE 1 ENCLOSURE
 MAXIMUM SYSTEM VOLTAGE
 120/208 VAC 1P-3W 50-60 HZ OR 3P-4W WITH KIT MCTBK1200
 COPPER BUS BARS WITH SILVER FLASH PLATING
 CSA-FILE PER REFERENCE 151178 REPORT 1160363 (LR 13488-42)
 SUITABLE FOR UNDERGROUND OR OVERHEAD SERVICE
 SUITABLE FOR USE AS A SUB-FEED DEVICE OR BRANCH TAP BOX
 PROVIDED TOTAL LOADING ON SYSTEM DOES NOT EXCEED 80% OF
 THE MAIN CIRCUIT BREAKER OR FUSIBLE DISCONNECT.
 4TH PHASE NOT PROVIDED - USED KIT MCTBK1200 IF REQUIRED.

	Tolerancing Standard :		Units of measure : DUAL	
			INCHES/MILLIMETERS	
1200A TAPBOX ASSEMBLY				
MCTB12003L				
Number: 73293-080-07-MCTB12003L			Revision: 00	Sheet: 1/1

The information is highly confidential and is the exclusive property of Schneider Electric. Copyright reserved. This drawing must not be used for any purpose other than that expressly permitted in writing by the owners and must not be disclosed or reproduced in any way without permission from the owners in writing. This drawing must be returned to the owners when the purpose has ceased.

State: