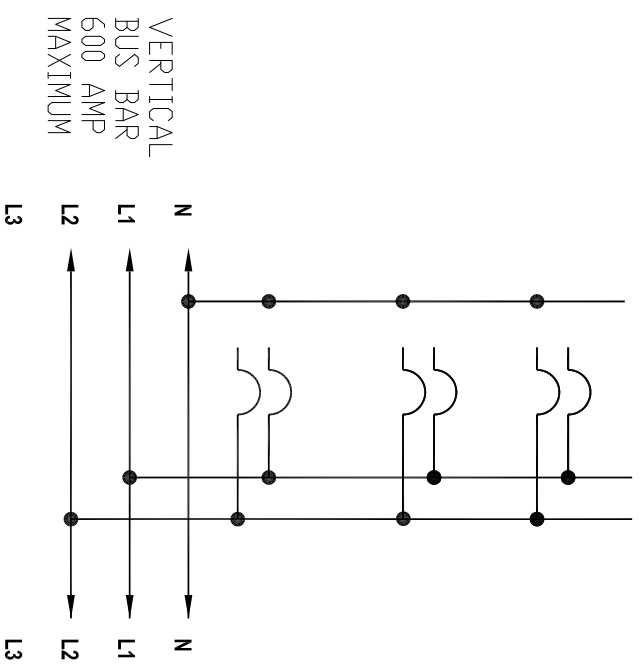
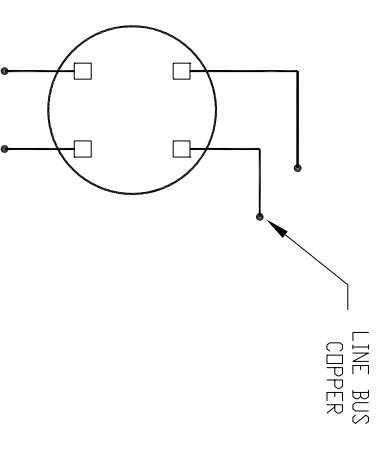


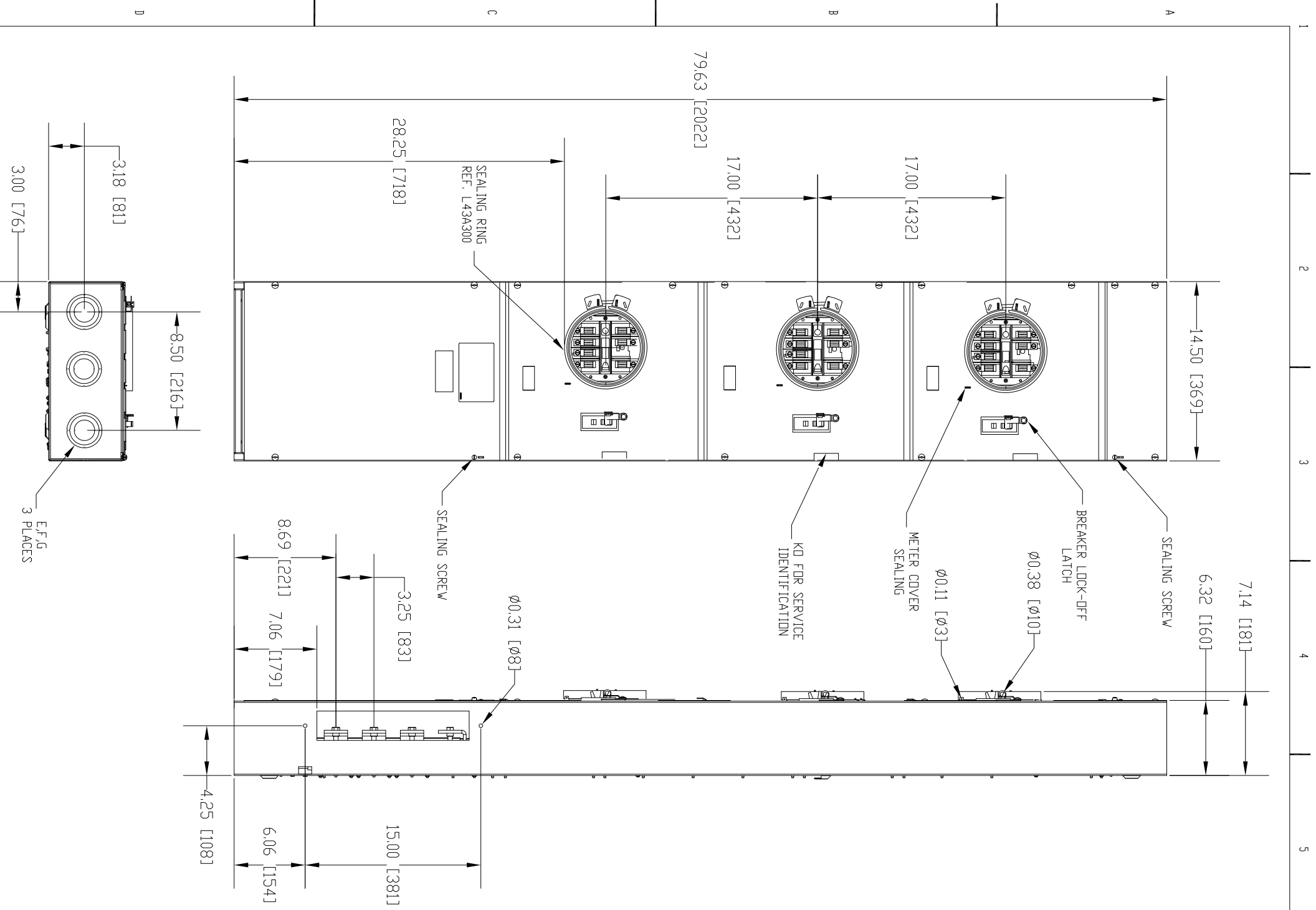
AMPERE RATING	SHORT CIRCUIT CURRENT RATING	CATALOG NUMBER	SERIES	SUB SERVICES	VERTICAL BUS BAR RATING	SERVICE GROUND LUG AWG	VERTICAL BUS BAR MATERIAL
200	65KA	MC43L200B		3	600	(6) #4-14 CU-AL	COPPER 3x 1/4 x 3/4 IN SILVER PLATING

200AMP 4 JAW METER BASE
ASSEMBLY APPROVED FOR 600V
CSA LR13488
APPLY TORQUE ON CONNECTOR
75-100 LB-IN



VERTICAL
BUS BAR
600 AMP
MAXIMUM

SUB-SERVICE CIRCUIT BREAKER
TYPE JDM /JGM
120 / 240 VAC
BUS COPPER CONNECTION



NOTES:

FINISH GRAY BAKED ENAMEL POWDER ANSI 49
COAT PAINT OVER CLEANED COLD ROLLED STEEL
GAUGE 16 (0.054 IN)
NEMA TYPE 1 ENCLOSURE
MAXIMUM SYSTEM VOLTAGE
120/240 VAC 3P-4W 50-60 HZ
CSA-FILE PER REFERENCE 151178 REPORT 1160363 (LR 13488-42)
SUITABLE FOR UNDERGROUND OR OVERHEAD SERVICE
RINGTYPE METER MAIN 4 JAWS 3 SUB SERVICES

KNOCKOUTS TABLE		
SYMBOL	CONDUIT	SIZE
	IN	MM
A	0.50	13
B	0.75	19
C	1.00	25
D	1.25	32
E	1.50	38
F	2.00	51
G	2.50	64
H	3.00	76

Tolerancing Standard :

Units of measure : DUAL
INCHES/MILLIMETERS

Schneider
Electric

CANADA METER CENTRE 240V

MC43L200B

Number: 73293-080-03-MC43L200B

Revision: 00 Sheet: 1/1

State:

The information is highly confidential and is the exclusive property of Schneider Electric. Copyright reserved. This drawing must not be used for any purpose other than that expressly permitted by the owner of the drawing. The drawing must be returned to the owner when the purpose has ceased.