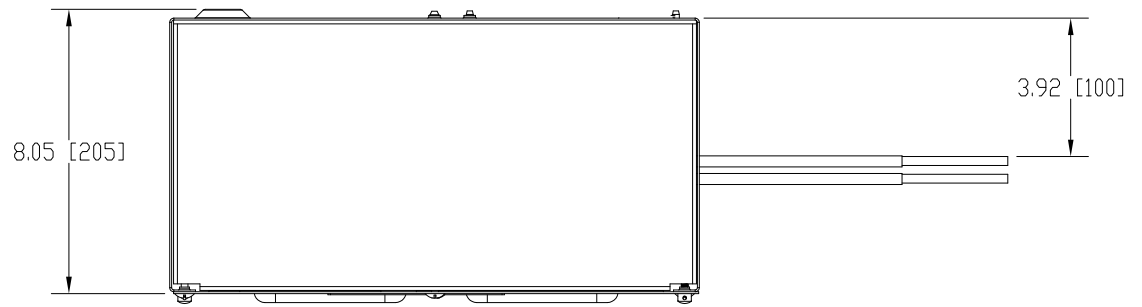
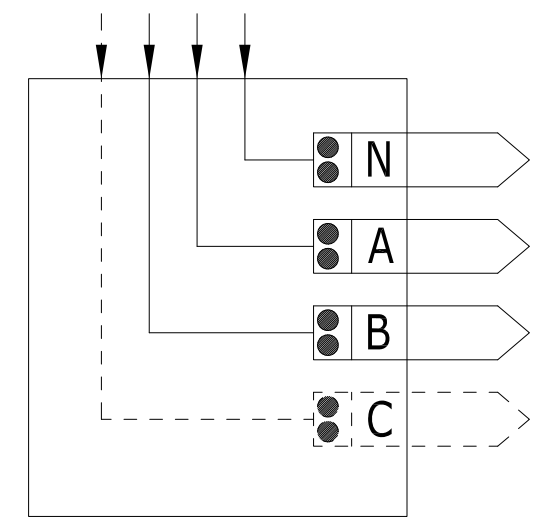
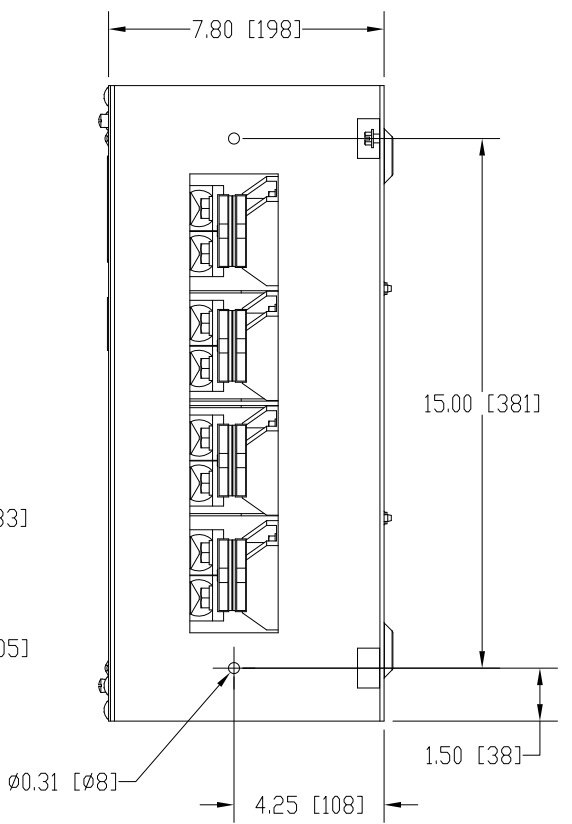
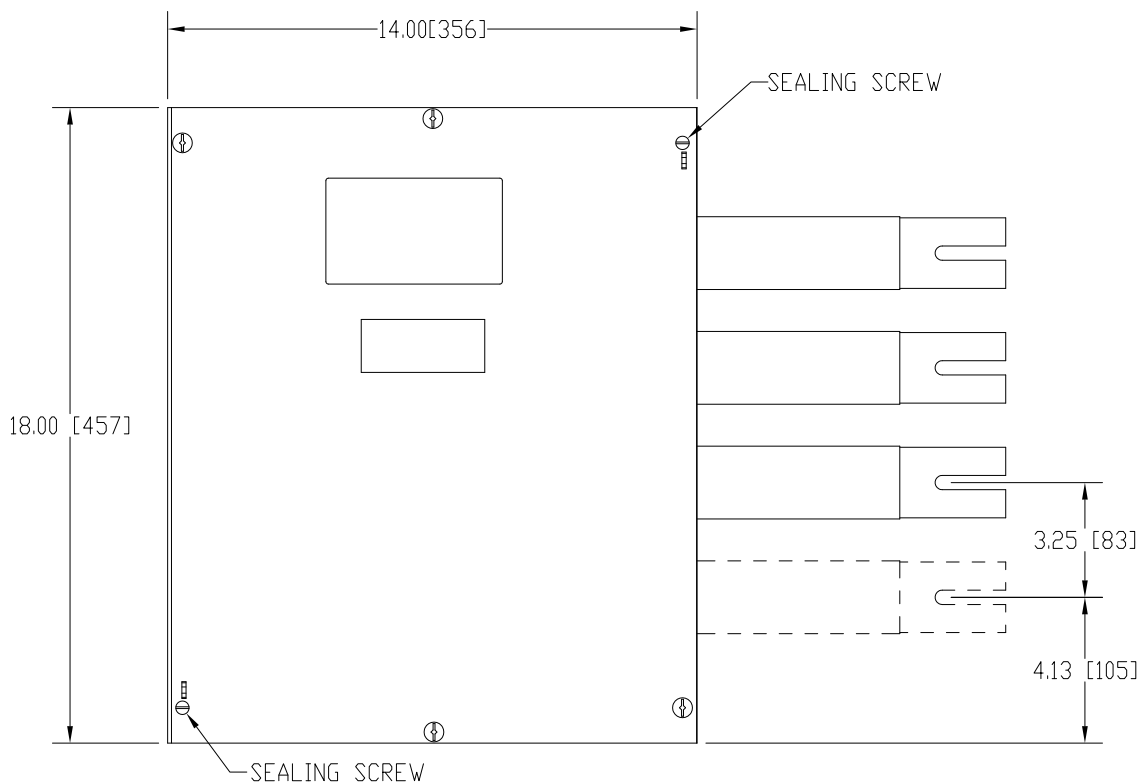


1 2 3 4 5 6 7 8 9 10



TAP BOX RATING	SHORT CIRCUIT CURRENT RATING	CATALOG NUMBER	SERIES	PHASE LUG RANGE	MAIN BUS BAR RATING	SERVICE GROUND LUG AWG
600	65kA	MCTB2003L		SEE NOTES	200	6-300 KCMIL



CABLE RANGE  
 (1) WIRES 1-#6 TO 300 MCM  
 TORQUE WIRE BINDING SCREW 550 IN-LBS

**NOTES:**

FINISH GRAY BAKED ENAMEL POWDER ANSI 49  
 COAT PAINT OVER CLEANED COLD ROLLED STEEL  
 GAUGE 16 (0.054 IN)  
 NEMA TYPE 1 ENCLOSURE  
 MAXIMUM SYSTEM VOLTAGE  
 120/208 VAC 3P-4W 50-60 HZ  
 ALUMINUM BARS WITH TIN PLATING  
 CSA-FILE PER REFERENCE 151178 REPORT 1160363 (LR 13488-42)  
 SUITABLE FOR UNDERGROUND OR OVERHEAD SERVICE  
 SUITABLE FOR USE A SUB-FEED DEVICE OR BRANCH TAP BOX  
 PROVIDED TOTAL LOADING ON SYSTEM DOES NOT EXCEED 80% OF  
 THE MAIN CIRCUIT BREAKER OR FUSIBLE DISCONNECT.  
 4TH PHASE NOT PROVIDED - USE KIT NUMBER MCTBK200 IF  
 REQUIRED.

	Tolerancing Standard :		Units of measure : DUAL	
			INCHES/MILLIMETERS	
200A TAPBOX ASSEMBLY				
MCTB2003L				
Number:		Revision:	Sheet:	
73293-080-X8-MCTB2003L		00	1/1	
<small>The information is highly confidential and is the exclusive property of Schneider Electric. Copyright reserved. This drawing must not be used for any purpose other than that expressly permitted in writing by the owners and must not be disclosed or reproduced in any way without permission from the owners in writing. This drawing must be returned to the owners when the purpose has ceased.</small>		State:		